



Sintec Optronics Pte Ltd

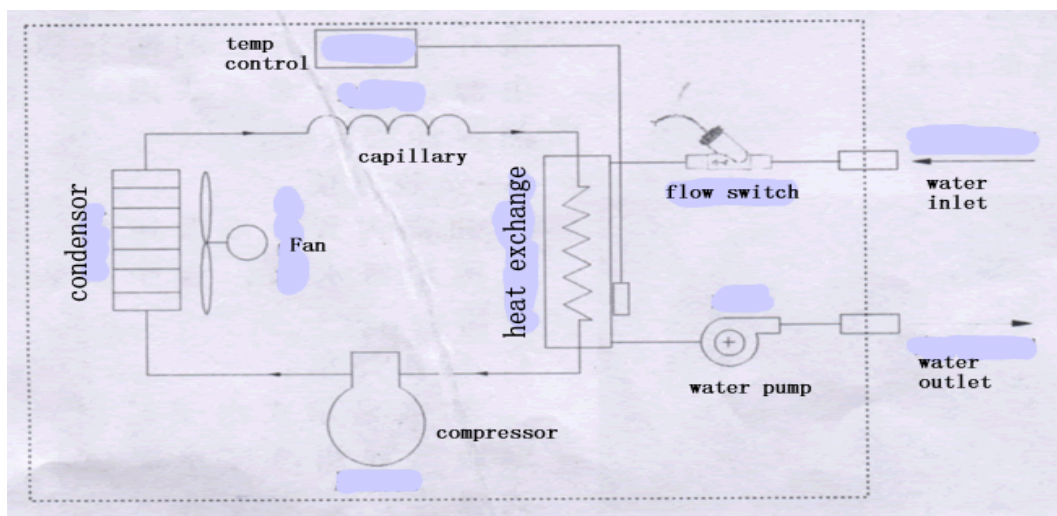
10 Bukit Batok Crescent #07-02 The Spire Singapore 658079

Tel: +65 63167112 Fax: +65 63167113

Laser Chiller

All the surface contacting the water are stainless steel or engineering plastics. A water flow switch is used to alarm if there are less water flow or no water flow. Foreign design and manufacturing techniques, strict quality control, and excellent management make sure that our products are highly quality, highly reliable and highly durable.

These chillers can be used in laser cooling, chemical engineering and commercial applications.

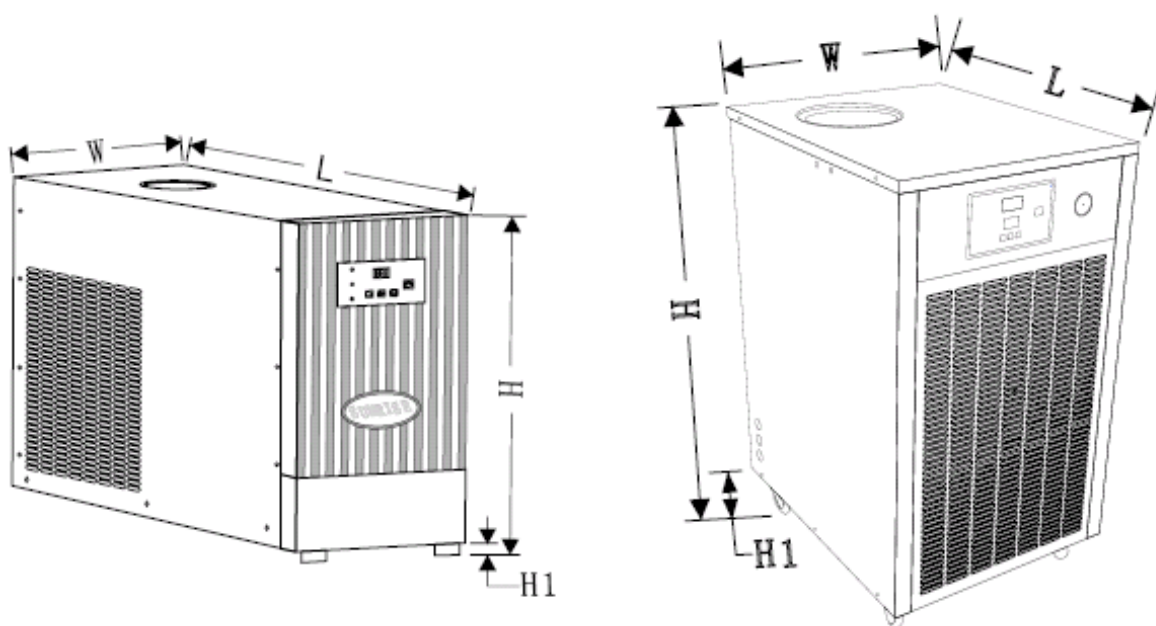


Model		ST-LW10-CLP	ST-LW15-CLP
Nominal Cooling Capacity	(W)	1000	1500
Power Supply		1PH-220/50Hz	
Power of Compressor	(HP)	3/8	1/2
Refrigerant		R12	R22
Power of Pump	(W)	91	
Flow Range	(L/min)	8~30	
Lift Range	(m)	10~4	
Pure Water Storage	(L)	5.5	
Chilled Water Inlet & Outlet	Rp	Internal Thread 1/2"	
Operation Range	Ambient Temperature	≤35℃	
	Chilled Water Temp.	8℃~25℃	
Flow Switch		Release Flow Point: <2.0L/min	
Net weight (kg)		44	45
L×W×H (mm)		290×645×495	290×645×496

Model		ST-LW16-			ST-LW27-			ST-LW36-			ST-LW52-			ST-LW72-		
		BLP	BHP	BSP	BLP	BHP	BSP	BLP	BHP	BSP	BLP	BHP	BSP	BLP	BHP	BSP
Nominal Cooling Power (W)	W	1600			2700			3600			5200			7200		
	Btu/h	5024			9288			12384			17888			24768		
	Kcal/h	1376			2322			3096			4472			6192		
Power Supply		1PH-220V/50Hz														
Refrigerant		R22														
Power of Compressor (HP)		1/2			1			1.5			2			2.75		
Rated Air Flow (m³/h)		600			1400			2000			2000			2700		
Rated Air Discharge (W)		2200			3700			4100			7200			10000		
Rated Power of Fan (W)		36			2×36			2×86			2×86			2×110		
Water Tank Volume (L)		8.5			11.2			15			15			17		
Water Inlet & Outlet		Inner teeth DN15(1/2")						Inner teeth DN20(3/4")								
Drain		Inner teeth DN15(1/2")														
Power of Pump (W)		90	550	550	90	550	550	90	550	550	90	550	550	90	550	550
Rated Pump Lift (m)		6	21	35	6	21	35	8	21	35	8	21	35	8	21	35
Rated Flow (m³/h)		1.1	2	2	1.1	2	2	0.9	2	2	0.9	2	2	0.9	2	2
Flow Switch		Operator flow≥3.5L/min, Release flow≤2.0L/min,Max.current≤3A														
Rated Current (A)			5.6			5.8			8.2			11.8			14	
Net Weight (kg)		69			71			95			98			115		
Dimensions (L×D×H)(mm)		424×524×765			474×574×805			504×624×905			504×624×905			526×715×955		
Noise (dba)		52			56			57			57			58		
Filter		5"						10"								

Model		ST-WE87- HTP	ST-WE115- HTP	ST-WE148- HTP	ST-WE190- HTP	ST-WE229- HTP	ST-WE296- HTP
Nominal Cooling Capacity	W	8700	11500	14800	19000	22900	29600
	Btu/Hr	29928	39560	50912	65360	78776	101824
	Kcal/Hr	7482	9890	12728	16340	19694	25456
Power Supply		3PH~380VAC/50Hz					
Compressor	Total Input (W)	2680	3480	4430	5830	6890	9130
	Nominal Horsepower (HP)	3	4	5	7	8	10
	Rated Loading Current (A)	5.7	7.4	9	14	17	19
	Max. Start Current (A)	36~40	44~49	58~65	85~95	100~110	110~118
	Noise (dBA)	56	63	64	66	67	72
Fan	Power (W)	135	135×2	135×2	160×2	550×2	550×2
	Max. Air Flow (m ³ /h)	4000	3340×2	3340×2	4890×2	8000×2	8000×2
	Max. Air Pressure (Pa)	150	120	120	160	170	170
Pump	Power (W)	750	750	750	750	1100	1100
	Lift Range (m)	16~26	16~26	16~26	16~26	16~26	16~26
	Max. Flow Rate(L/min)	140	140	140	140	160	160
Flow Pressure Switch		Default Value:≥0.5kgf/c m ² , Electrical Current:8A					
Refrigerant		R22					
Operation Range	Ambient Temperature(°C)	≤40					
	Cool Water Temp. (°C)	5~20					
Chilled Water Inlet&Outlet (Rp)		1¼"	1¼"	1¼"	1¼"	1½"	1½"
Dimensions (L×W×H)mm		580×900×950	600×1280×1000	600×1280×1000	750×1220×520	900×1680×680	900×1680×680
Net Weight (kg)		84	109	113	277	455	525

Model		ST-WE362-HTP	ST-WE458-HTP	ST-WE609-HTP	ST-WE694-HTP	ST-WE746-HTP	ST-WE903-HTP
Nominal Cooling Capacity	W	36200	45800	60900	69400	74600	90300
	Btu/Hr	124528	157552	209496	238736	256624	310632
	Kcal/Hr	31132	39388	52374	59684	64156	77658
Power Supply		3PH~380VAC/50Hz					
Compressor	Total Input (W)	10200	14060	18260	20400	22400	28120
	Nominal Horsepower (HP)	12	15	10×2	12×2	13×2	15×2
	Rated Loading Current (A)	22	24	19×2	22×2	22×2	24×2
	Max. Start Current (A)	110~118	179~198	110~118	110~118	151~167	179~198
	Noise (dBA)	72	72	76	76	76	76
Fan	Power (W)	550×2	550×2	550×3	550×3	670×3	670×3
	Max. Air Flow (m ³ /h)	8000×2	8000×2	8000×3	8000×3	11000×3	11000×3
	Max. Air Pressure (Pa)	170	170	170	170	90	90
Pump	Power (W)	1100	1100	2200	2200	2200	2200
	Lift Range (m)	16~26	16~26	16~26	16~26	16~26	16~26
	Max. Flow Rate(L/min)	160	160	240	240	240	240
Flow Pressure Switch		Default Value:≥0.5kgf/c m ² , Electrical Current:8A					
Refrigerant		R22					
Operation Range	Ambient Temperature(°C)	≤40					
	Cool Water Temp. (°C)	5~20					
Chilled Water Inlet&Outlet (Rp)		1½"	1½"	2"	2"	2"	2"
Dimensions (L×W×H)mm		900×1680×1680	900×1680×680	1050×2200×1850	1050×2200×1850	1100×2300×1950	1100×2300×1950
Net Weight (kg)		574	627	770	833	945	994



Model \ DIM	W (mm)	L (mm)	H (mm)	H1 (mm)
PH-LW10-CLP	290	645	495	20
PH-LW15-CLP	290	645	495	20

Model \ DIM	L (mm)	W (mm)	H (mm)	H1 (mm)
PH-LW16-***	524	424	765	50
PH-LW27-***	574	474	805	70
PH-LW36-***	624	504	905	70
PH-LW52-***	624	504	905	70
PH-LW72-***	715	526	955	70