



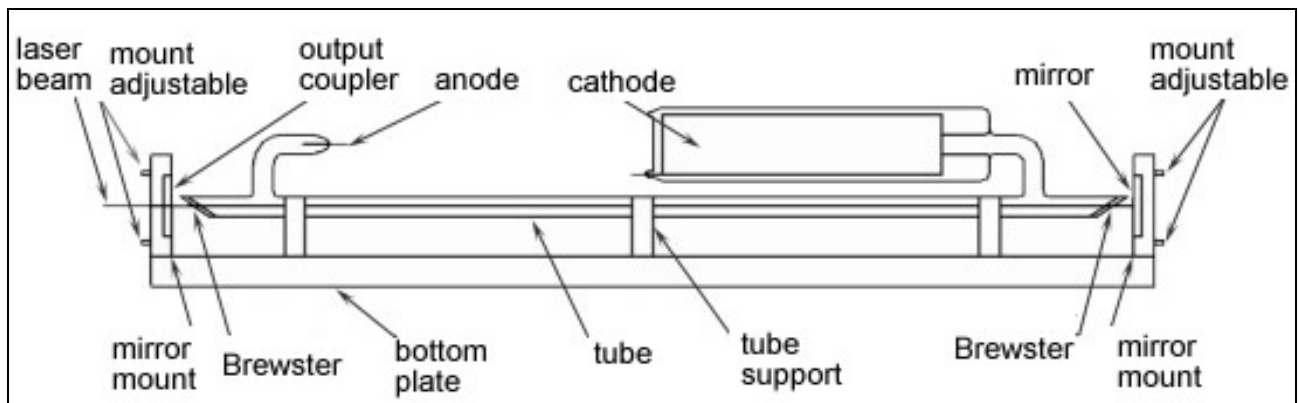
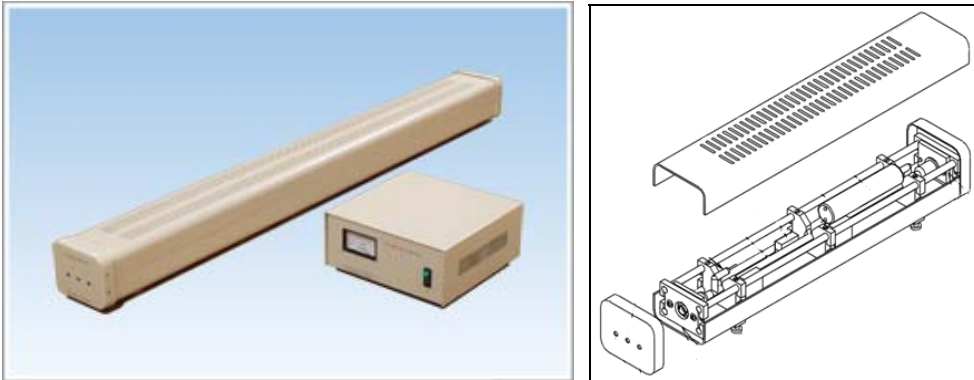
# Sintec Optronics Pte Ltd

10 Bukit Batok Crescent #07-02 The Spire Singapore 658079

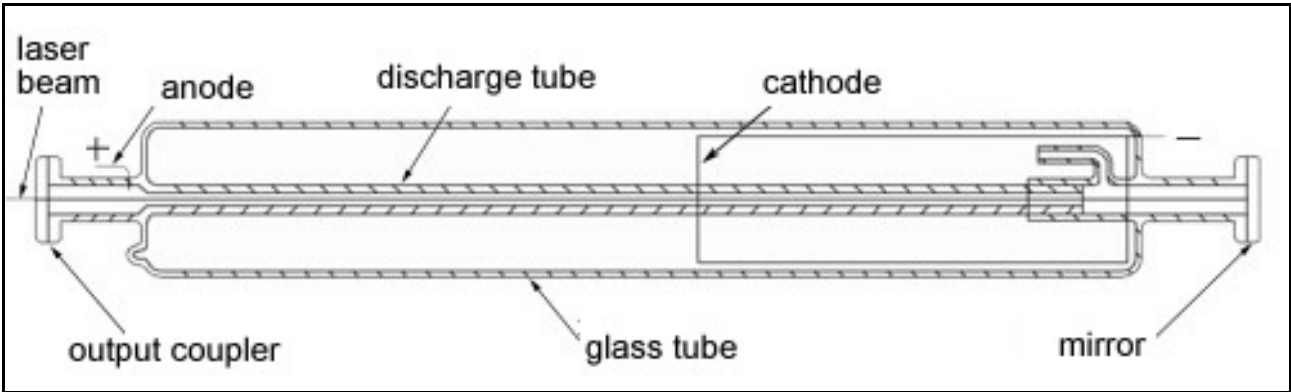
Tel: +65 63167112 Fax: +65 63167113

## HeNe Lasers

The laser tube is integrated into a metal box and its power supply is individual.

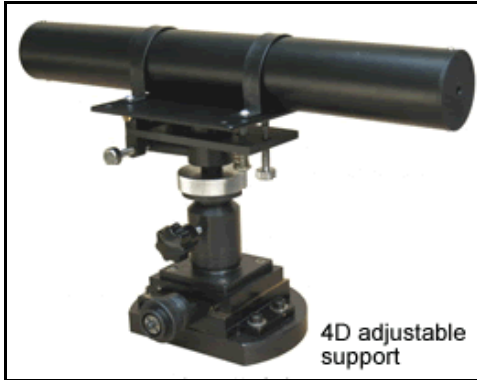


|                           |                   |            |             |             |             |
|---------------------------|-------------------|------------|-------------|-------------|-------------|
| Model                     | 400               | 500        | 1000        | 1500        | 2000        |
| Laser power               | ≥8mW              | ≥15mW      | ≥40mW       | ≥60mW       | ≥90mW       |
| Tube length               | 400mm             | 540mm      | 1000mm      | 1500mm      | 2000mm      |
| Beam mode                 | TEM <sub>00</sub> |            |             |             |             |
| Lifetime                  | ≥10000hours       |            |             |             |             |
| Longitudinal mode spacing | 300MHz            | 260MHz     | 130MHz      | 90MHz       | 65MHz       |
| Polarisation              | 1000:1            |            |             |             |             |
| Beam diameter             | 0.7mm             | 0.7mm      | 1.1mm       | 1.6mm       | 2mm         |
| Beam divergence           | ≤1mrad            | ≤1mrad     | ≤0.7mrad    | ≤0.7mrad    | ≤0.5mrad    |
| Output power stability    | ≤±2.5%/hour       |            |             |             | ≤±3%/hour   |
| Operation current (mA)    | 8.5               | 6-10       | 10-15       |             |             |
| Input electric power      | 60W               | 60W        | 100W        |             |             |
| Laser head dimension (mm) | 560×115×90        | 700×115×90 | 1165×115×90 | 1655×150×95 | 2185×120×95 |
| Laser head weight         | 5kg               | 6kg        | 9kg         | 13kg        | 20kg        |
| Power supply dimension    | 240mm×240mm×100mm |            |             |             |             |
| Power supply weight       | 3 kg              |            |             |             |             |



Laser tube and power supply are fully integrated into one box.

| model                  | 150A              | 180A | 250A | 270A  | 450A        |
|------------------------|-------------------|------|------|-------|-------------|
| Laser power            | ≥0.5mW            | ≥1mW | ≥2mW | ≥2mW  | ≥5mW        |
| Output power stability | ≤±5%/hour         |      |      |       |             |
| Polarisation           | Random            |      |      | 200:1 | Random      |
| Beam diameter          | ≤1mm              |      |      |       |             |
| Beam divergence        | ≤2mrad            |      |      |       |             |
| Beam mode              | TEM <sub>00</sub> |      |      |       |             |
| Dimension              | 270×85×80 mm      |      |      |       | 470×85×80mm |
| Weight                 | 1.4kg             |      |      |       | 2kg         |
| Input electric power   | 30W               |      |      |       | 40W         |



Laser tube and power supply are individual.

| Mode                        | 150B                 | 180B                 | 250B                 | 270B                 | 450B                 |
|-----------------------------|----------------------|----------------------|----------------------|----------------------|----------------------|
| Laser power                 | $\geq 0.5\text{mW}$  | $\geq 1\text{mW}$    | $\geq 2\text{mW}$    | $\geq 2\text{mW}$    | $\geq 5\text{mW}$    |
| Output power stability      | $\leq \pm 5\%/hour$  |                      |                      |                      |                      |
| Polarisation                | Random               |                      |                      | 200: 1               | Random               |
| Beam mode                   | $TEM_{00}$           |                      |                      |                      |                      |
| Beam diameter               | $\leq 1\text{mm}$    |                      |                      |                      |                      |
| Beam divergence             | $\leq 2\text{mrad}$  |                      |                      |                      |                      |
| Tube dimension (mm)         | $\Phi 42 \times 220$ | $\Phi 42 \times 260$ | $\Phi 42 \times 320$ | $\Phi 42 \times 335$ | $\Phi 42 \times 520$ |
| Tube weight (kg)            | 0.2                  | 0.22                 | 0.26                 | 0.3                  |                      |
| Power supply dimension (mm) | 150×102×45           |                      |                      |                      | 170×122×45           |
| Power supply weight         | 0.8kg                |                      |                      |                      | 1kg                  |
| Input electric power        | 30W                  |                      |                      |                      | 40W                  |

### 3D Adjustable Supports

|                             |          |
|-----------------------------|----------|
| Height                      | 210±50mm |
| Travel range (Z-axis)       | ±50mm    |
| Rotation range (pitching)   | ±5°      |
| Rotation range (left-right) | ±10°     |

### 4D Adjustable Supports

|   |           |
|---|-----------|
| Height                                  | 180±25 mm |
| Travel range (Z-axis, rough adjustment) | ±15mm     |
| Travel range (Z-axis, fine adjustment)  | ±10mm     |
| Travel range (X-axis, fine adjustment)  | ±10mm     |
| Rotation range (pitching)               | ±5°       |
| Rotation range (left-right)             | ±10°      |

