

DEVICE SPECIFICATION

MODEL NUMBER:

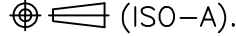
33041-20-1.5-I-TB

(PROTECTED UNDER US PATENT NUMBER 5,268,911)

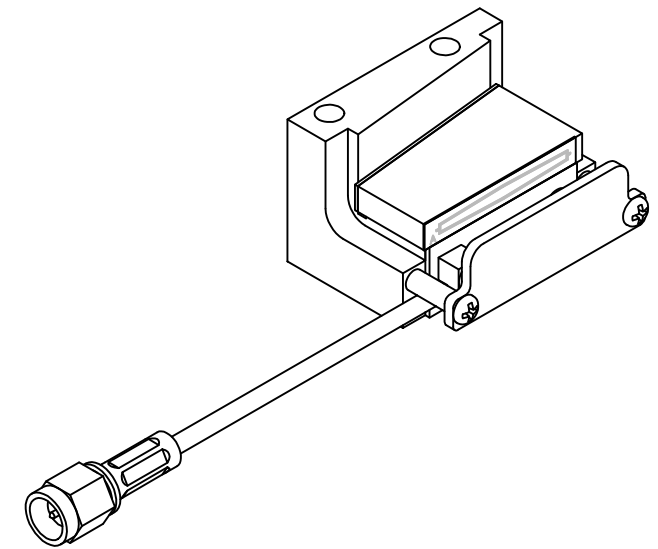
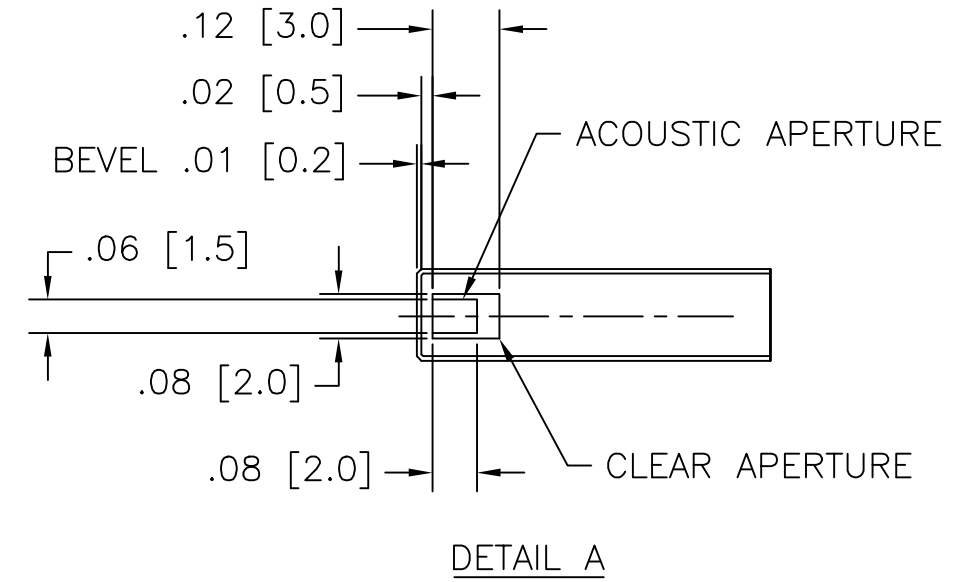
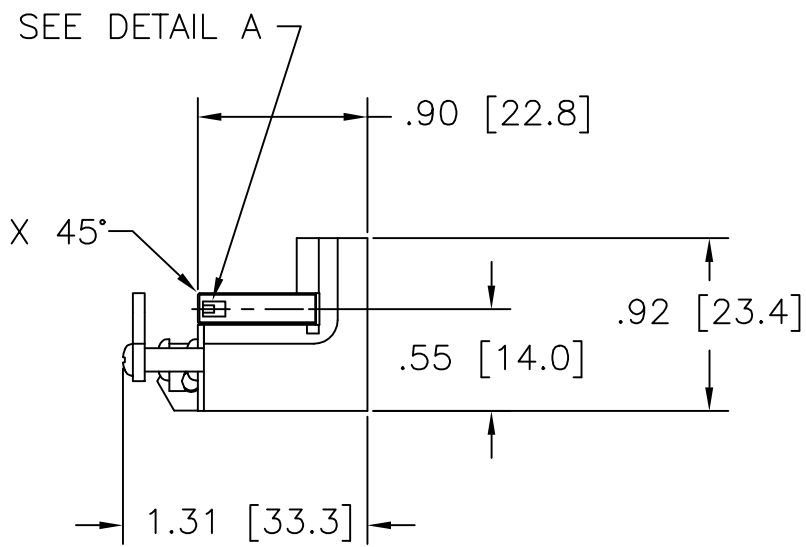
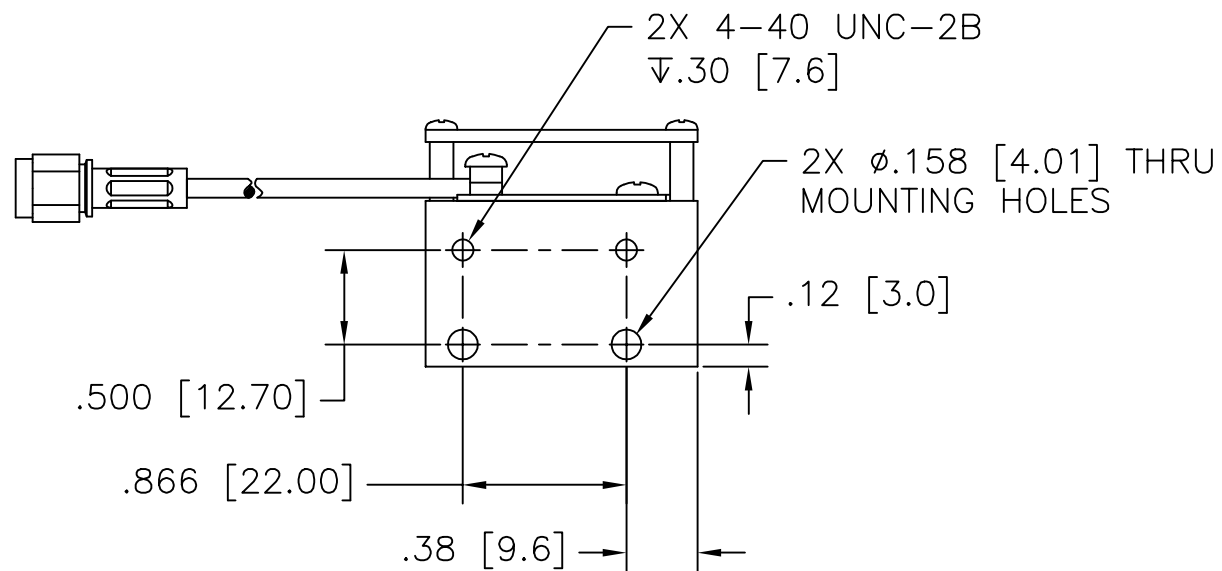
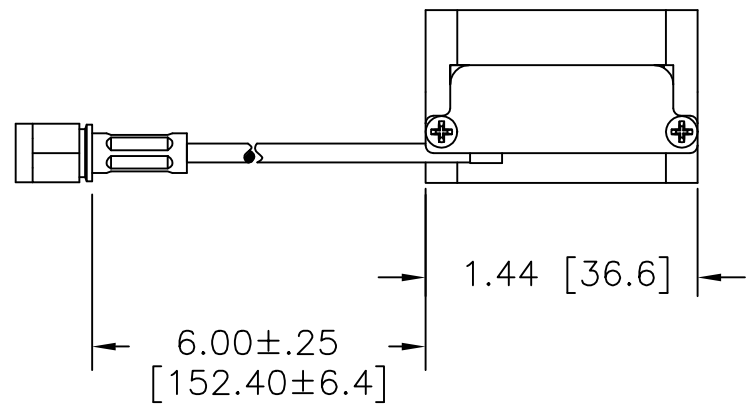
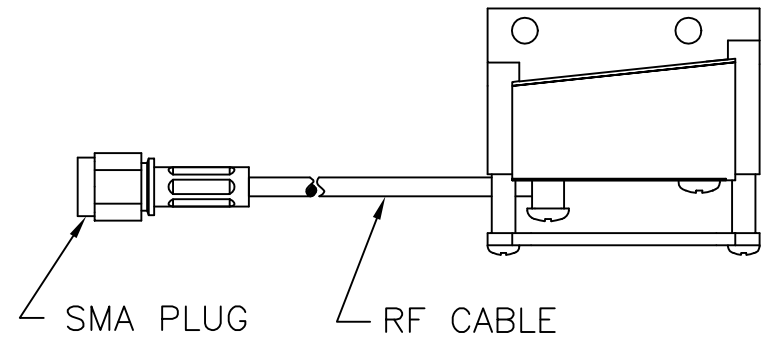
DOCUMENT NUMBER: 56A20261

<u>PARAMETER</u>	<u>SPECIFICATION</u>
Interaction Material	Crystal Quartz
Acoustic Mode	Longitudinal
Operating Wavelength	1064 nm
Window Configuration	AR "V" coated
Static Transmission	>99%
Operating Frequency	40.68 MHz
Loss Modulation	≥90% with linear polarization, perpendicular to acoustic propagation >80% with random polarization
Acoustic Aperture Size	1.5 mm
Rise Time	115 ns / mm beam diameter
Deflection Angle	7.5 mrad
RF Power Level	20 watts
Impedance	50 ohms
VSWR	<1.2:1 @ 40.68 MHz
Package	53B3995
Cooling	Conductive, must maintain housing under <50°C

As part of our policy of continuous product improvement we reserve the right to change specifications at any time.

- NOTES: UNLESS OTHERWISE SPECIFIED
1. DRAWING PREPARED IN ACCORDANCE WITH MIL-STD-100.
 2. INTERPRET 3RD ANGLE PROJECTION.
 (ISO-A).
 3. DIMENSIONING AND SYMBOLS PER ASME Y14.5M-1994.

REVISIONS				
ZONE	REV.	DESCRIPTION	CHNG / DATE	APVD / DATE



±