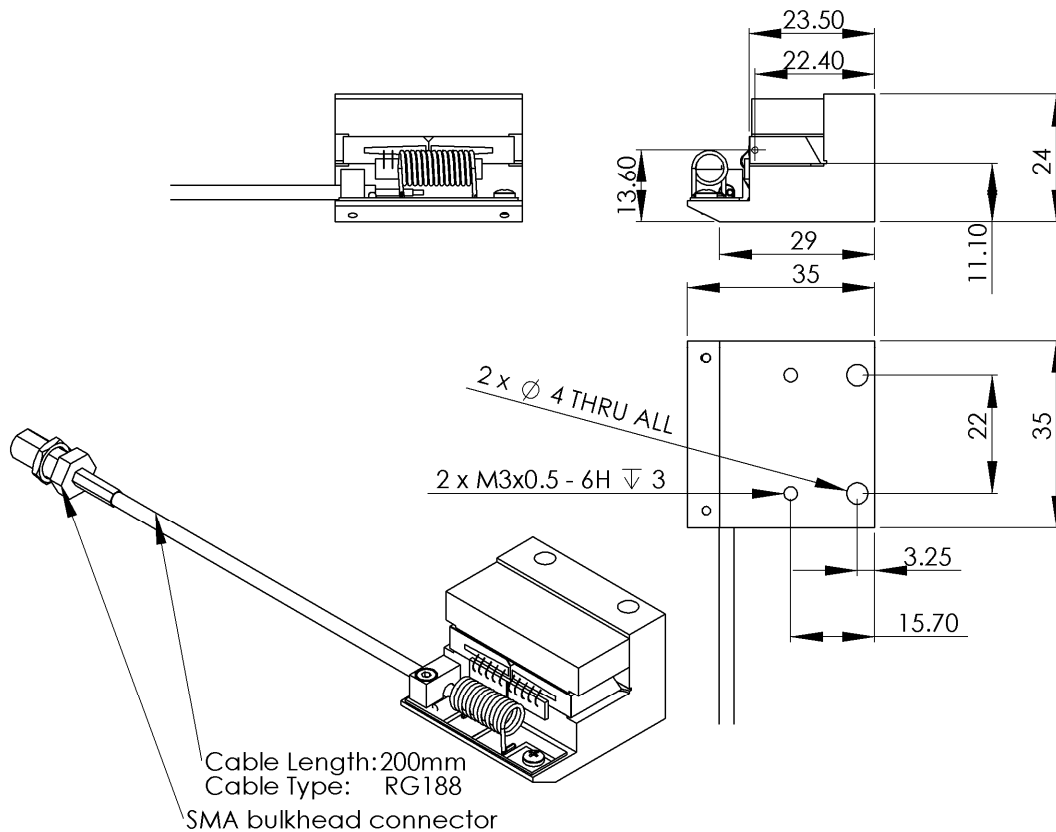


**QS041-10G-IN2 Specifications:**

Model No:	QS041-10G-IN2
Device:	AO Q-Switch
Interaction material:	Crystal Quartz
Wavelength:	1047 to 1064nm
Damage threshold:	> 1GW/cm <sup>2</sup>
AR coating reflectivity:	< 0.2% per surface
Transmission:	> 99.6%
Frequency:	40.68MHz
Optical polarisation:	Linear, vertical to base
Active aperture:	1.8mm
Acoustic mode:	Compressional
Rise-time (10-90%):	113ns/mm
Loss Modulation:	≥ 85%
Max recommended RF Power:	20W
Housing:	Refer to drawing



Revision No: 1.0  
Date: 19/08/08

*Enabling Optical Technologies*



Certificate No. FM 28257

Sintec Optronics Technology Pte Ltd  
10 Bukit Batok Crescent #07-02 The Spire Singapore 658079  
Tel: +65 63167112 Fax: +65 63167113  
E-mail: sales@SintecOptronics.com or sales@sintec.sg  
URL: <http://www.SintecOptronics.com> or <http://www.sintec.sg>